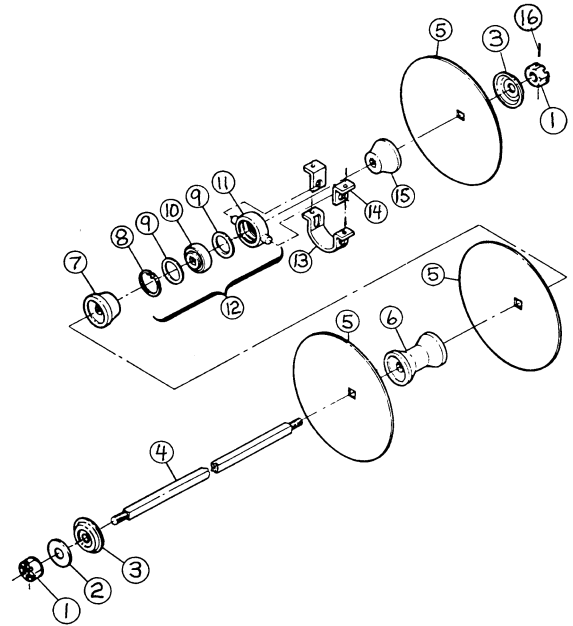
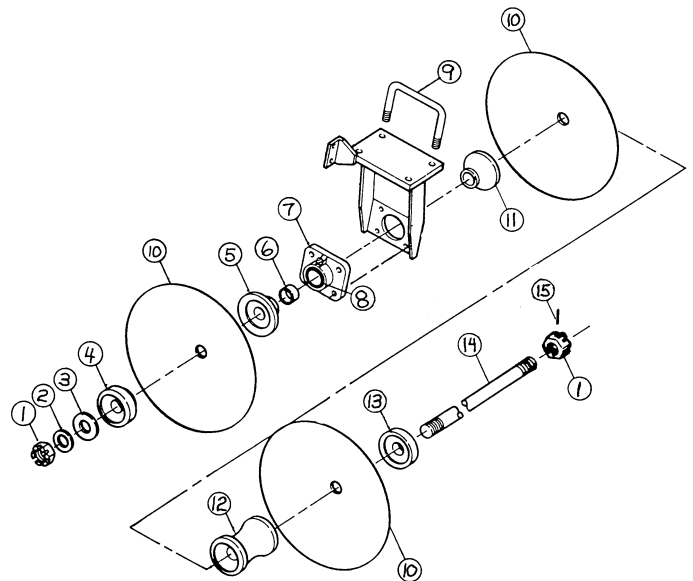


Item	Parts No.	Description
1	3013R1	Castle Nut 1-1/2"
2	5598R1	Gang Washer
3	3163R1	Spring End Washer
4	Call General Implement for Information	
5	See Section #2 of this Catalog	
6	4038R2	Gang Spool 9"
7	40263	Short Bearing Spool
8	3183R1	Retaining Ring
9	3200R1	Bearing Washer
10	3181R1	Bearing Insert 1-1/2" Squ.
11	3182R1	Bearing Housing
12	3045R91	Bearing 1-1/2" Assy.
13	24486	Bearing Clamp
14	24487	Bearing Clip
15	40265	Spool - Long 9" Spacing
15	40266	Spool - Long 10-1/2" Spac.
16	D1192	Roll Pin



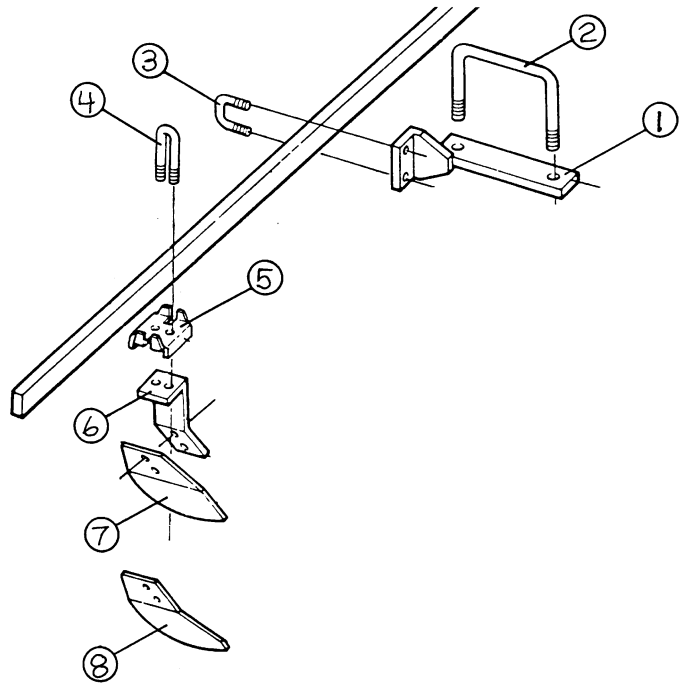
Square Gang Shaft
Model RPN, RPS, RPW

Item	Parts No.	Description
1	D1145	Castle Nut 1-3/4"
2	D1141	Washer
3	D1173	Washer
4	24052	End Cap 1-3/4" Shaft
5	D1013	Short Spool 1-3/4" Shaft
	4021R1	Short Spool 1-1/2" Shaft
6	D1014	Gang Shaft Bushing 1-3/4"
	5189R1	Gang Shaft Bushing 1-1/2"
7	3030R1	Bearing Assy. 1-3/4"
	3061R1	Bearing Assy. 1-1/2"
8	40304	Bearing Insert 1-3/4" Shaft
	3007R1	Bearing Insert 1-1/2" Shaft
9	D1194	8" U-Bolt 7/8" Dia.
	3003R1	6" U-Bolt 7/8" Dia.
10	See Section # 2 of this Catalog for Disc Blades.	
11	D1004	Long Brg. Half 9"- 1-3/4"
	D1005	Long Brg. Half 10"-1-3/4"
12	D1009	Spool Casting 9" - 1-3/4"
	D1010	Spool Cast 10-1/2" - 1-3/4"
	24482	Spool Casting 9" - 1-1/2"
13	D1012	End Cap - 1-3/4" Shaft
14	Call General Implement for Information	
15	D1192	Roll Pin



Round Gang Shaft
Models 7400, 7500, 7600, 7410, 7510, 7610

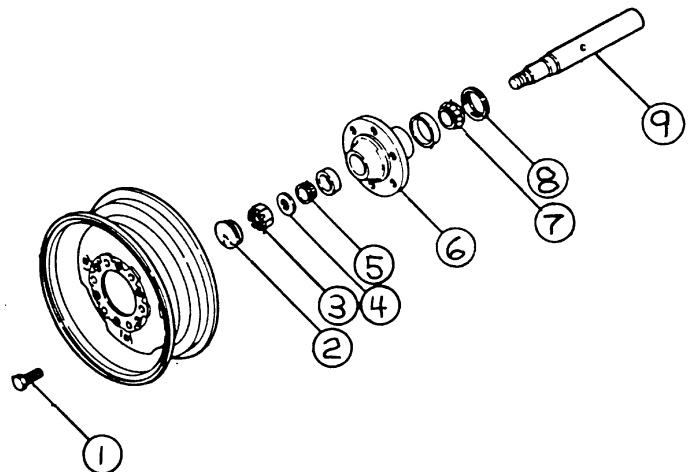
Item	Parts No.	Description
1	D1018	Scraper Bar Bracket
2	D1059	8" x 3/4" U-Bolt
3	D1048	1/2" U-Bolt; for scraper bar
4	D1061	1/2" U-Bolt; for scraper arm
5	5425R1	Scraper Clip
6	D1244	Scraper Arm
7	D1254	Scraper Blade
8	D1256	Scraper Blade (at brg. stand)



Scraper Assembly



Item	Parts No.	Description
1	D1077	Wheel Bolt
2	D1076	Dust Cap
3	D1147	Castle Nut 7/8"
4	D1148	Washer 2" OD x 7/8" ID
5	3079R1	Outside Cone
6	D1251	Hub w/Cup 1-3/4" Spindle
7	3071R1	Hub w/Cup 2" Spindle
7	3078R1	Inside Cone 1-3/4" Spindle
7	3080R1	Inside Cone 2" Spindle
8	D1072	Seal 1-3/4" Spindle
8	3074R1	Seal 2" Spindle
9	4002R2	Spindle 1-3/4"
9	4023R1	Spindle 2"



Transport Wheel Assembly